

**NAVIGATE THE CATALOG BY SECTION**

- 1
- 2
- 3
- 4
- 5
- 6
- 7
- 8
- 9
- 10
- 11
- 12
- 13
- 14
- 15
- 16
- 17
- 18
- 19

**LAPP ONLINE CATALOG**

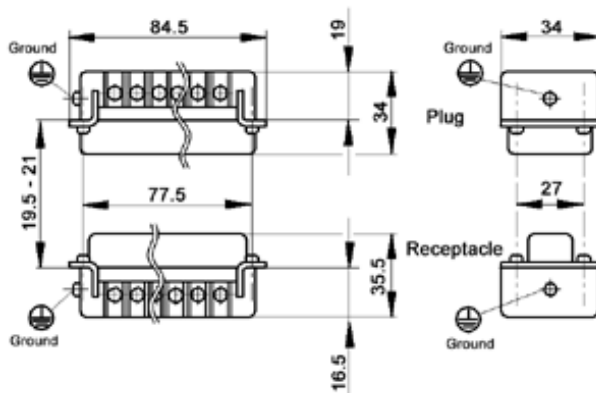
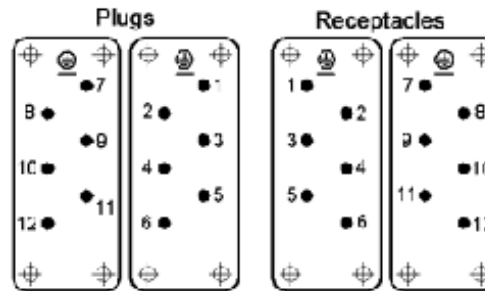
**EPIC® Rectangular Connectors**

**HBS 12 Inserts**

Screw Terminated Plugs & Receptacles

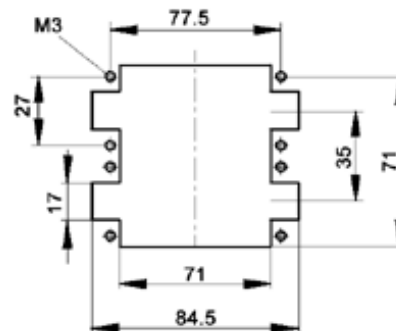


*View from Cable Side*



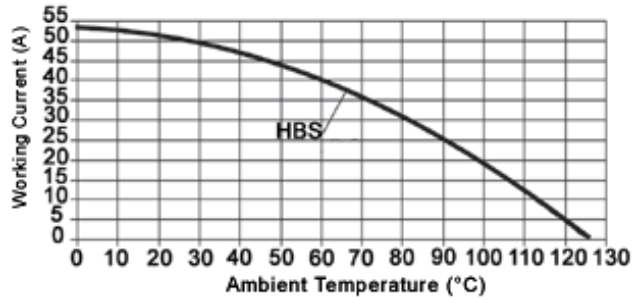
All dimensions in mm.

*Panel Cut-Out  
(Insert Only)*



## DERATING CURVES

HBS: 6.0 mm<sup>2</sup> (10 AWG)



## TECHNICAL DATA

<b>Rated Voltage:</b>	UL: 600V	VDE: 400V	CSA: 600V
<b>Rated Current:</b>	UL: 35A	VDE: 35A	CSA: 35A
<b>Temperature Range:</b>	-40°C to 125°C		
<b>Pollution Level:</b>	3		
<b>Dimensioning Transient:</b>	6 kV		
<b>Termination:</b>	0.5 - 6.0 mm <sup>2</sup>	AWG 20 - 10	
<b>Contact Material:</b>	Copper Alloy, silver plated		
<b>Contact Resistance:</b>	<2mOhm		
<b>Mating Cycles:</b>	100 (higher mating cycles depending on the application)		

## PART NUMBERS

	Plug	Receptacle
Screw Termination with wire protection, #1-6	10.1700	10.1710
Screw Termination with wire protection, #7-12	10.1706	10.1716

## MATING COMPONENTS

► [HBE 32 Housings](#)